

Technical Data Sheet

METEORITE Collection



B.L5 (Beaver)

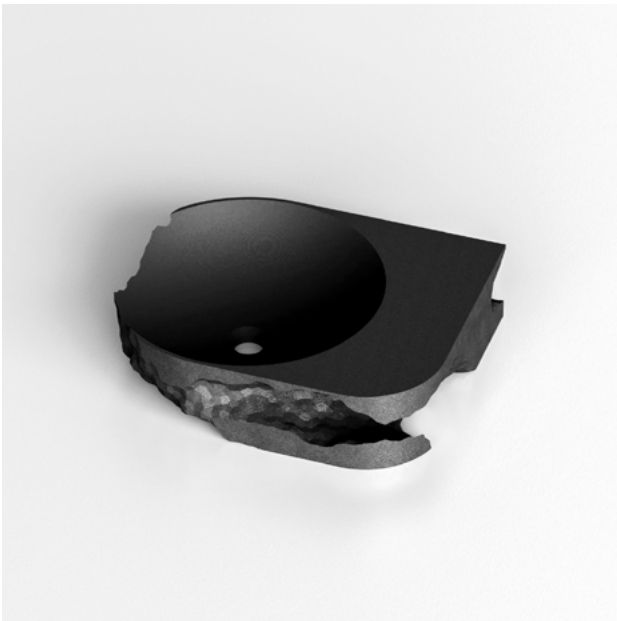


B.L5 (Beaver)

Fine details, clear edges and organic shapes stand out in the design of B.L5. Although its appearance suggests otherwise, it is made from sand in a 3D printing process.

The countertop washbasin combines sculptural expression and usability in a unique way by integrating a generous usable area that is connected to the washbasin.

This offers the possibility to put soap or place jewelry aside the washbasin while washing hands, highlighting the functionality of this design.



| | |
|----------------------|--------------------|
| Material | quartz sand |
| Finish | semi gloss |
| Standard size | 521 x 425 x 135 mm |

above: 521 x 425 x 135 mm, dark lava

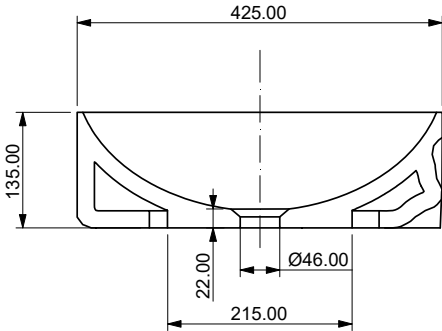
Standard colour

Dark Lava

B.L5 (without tap hole)

521 x 425 x 135 mm

A - A



B - B

